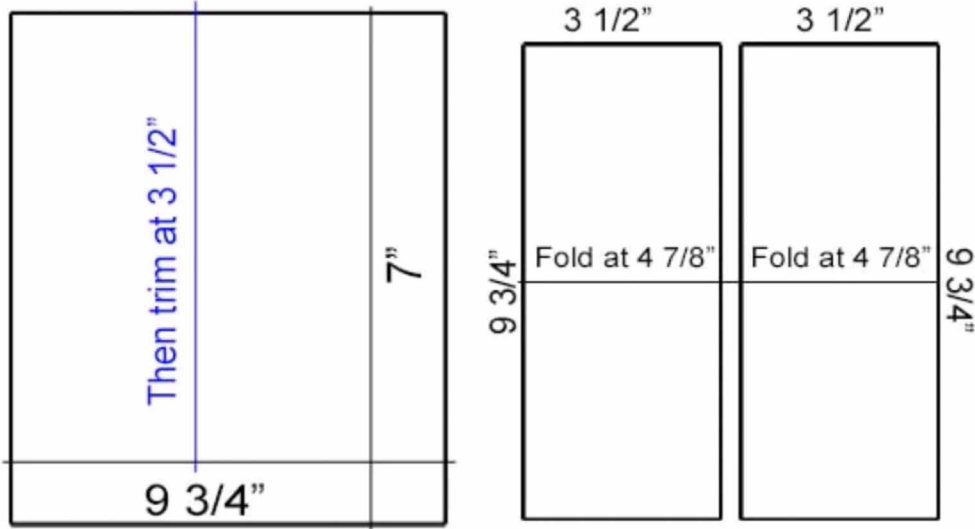


# 4-Bar Notecard Dimensions:

## 3 1/2" x 4 7/8"

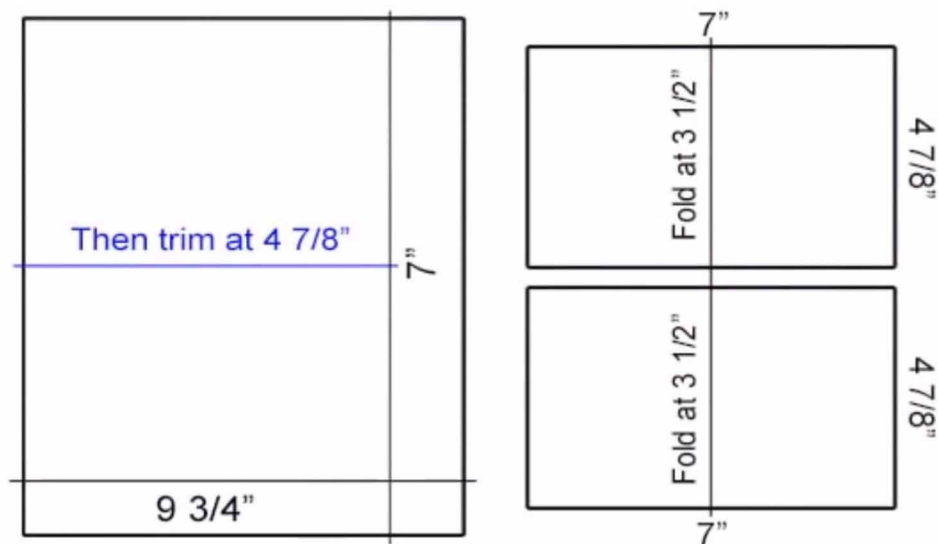
Can make 2 cards from one sheet of  
8 1/2" x 11" cardstock

### 4-Bar Notecard - Top Folding



Trim Cardstock to 7" x 9 3/4"

### 4-Bar Notecard - Side Folding



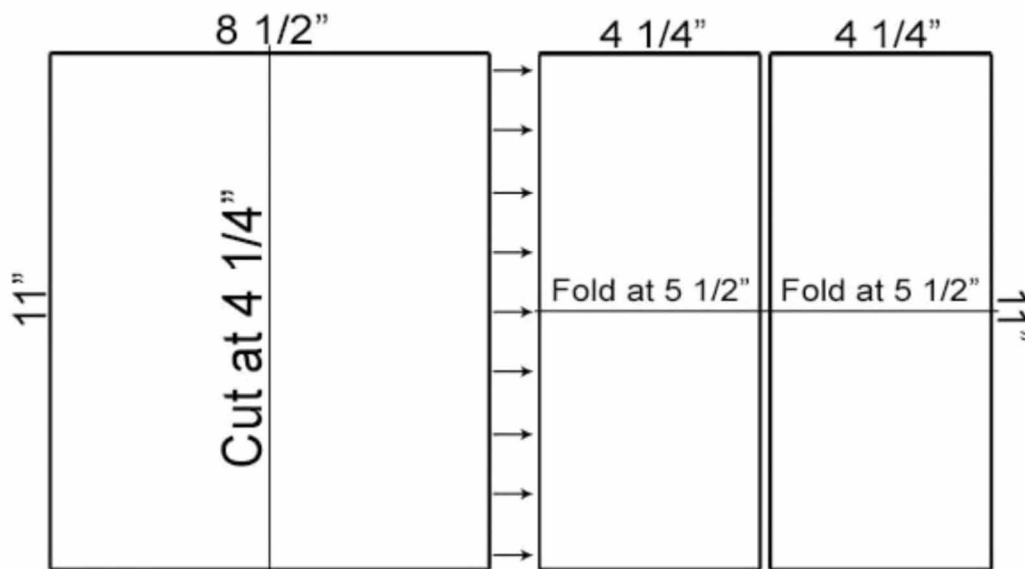
Trim cardstock to 7" x 9 3/4"

# A2 Card Dimensions:

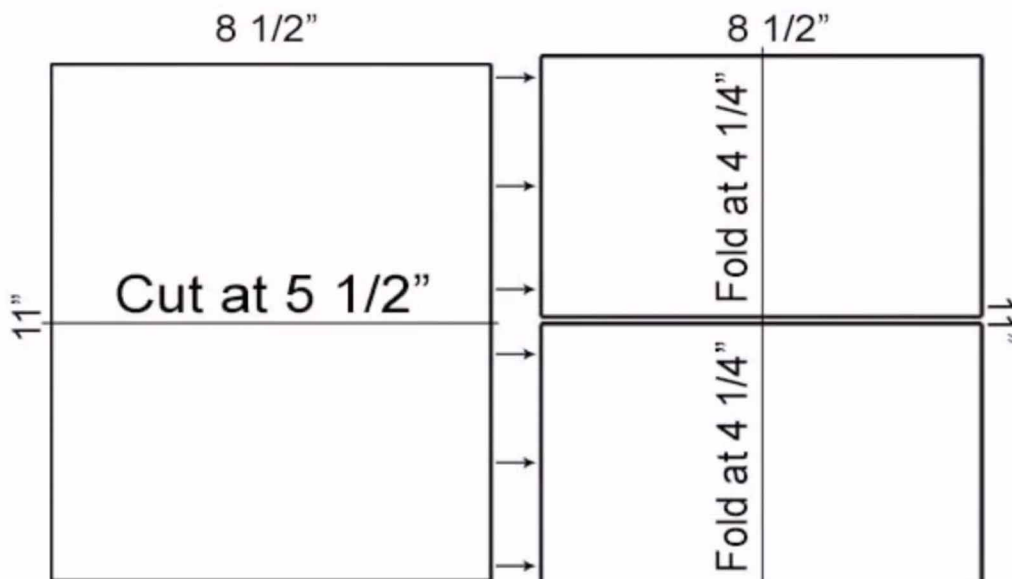
4 1/4" x 5 1/2"

Can Make 2 cards from one sheet  
of 8 1/2" x 11" card stock

## A2 - Top Folding



## A2 - Side Folding

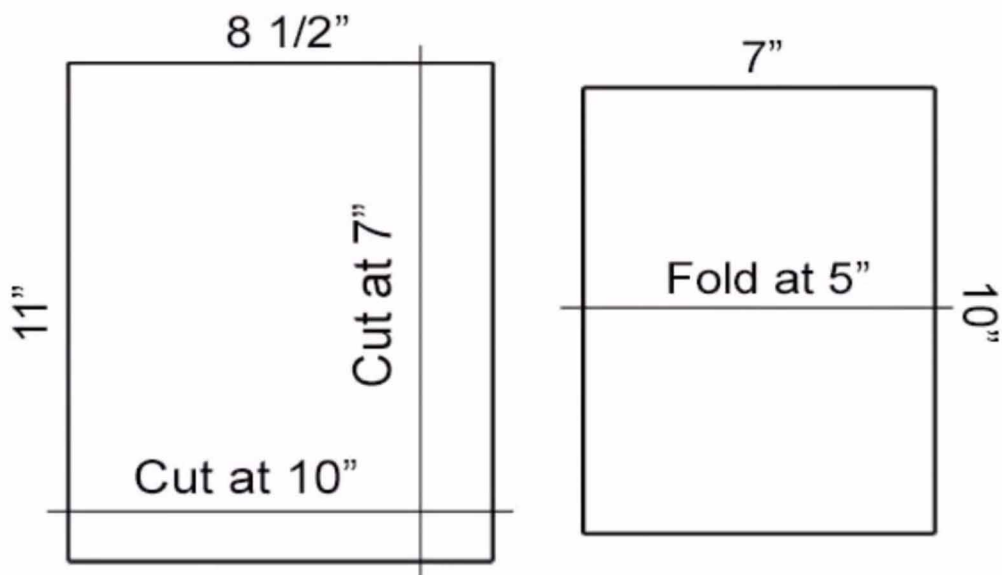


# A7 Card Dimensions:

5" x 7"

Can make 1 Side Folding Card  
from a sheet of 8 1/2" x 11" cardstock

## A7 (5" x 7") - Side Folding



# A9 Card Dimensions:

5 1/2" x 8 1/2"

Can make 1 Side Folding card  
from 1 sheet of 8 1/2" x 11" cardstock

## A9 - Side Folding

